



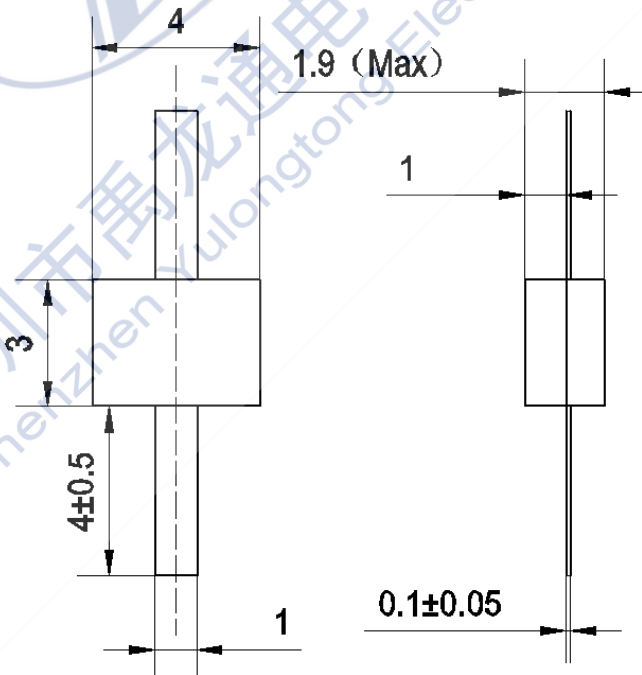
Leaded Chip Resistors

YULONGTONG ELECTRON CO.,LTD

Model: RFR50N-10R0601A

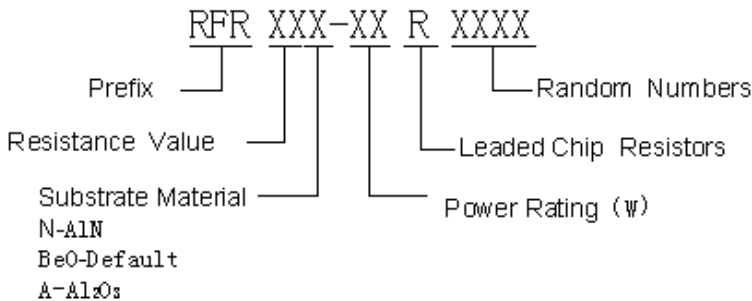
General Specifications

- ◆ Resistance: 50 Ω
- ◆ Substrate Material: ALN
- ◆ Resistance Tolerance: ±5%
- ◆ Power Rating: 10W
- ◆ Operating Temperature range: -55 to +150°C
- ◆ Temperature Coefficient: ≤150ppm/°C
- ◆ RoHS Compliant

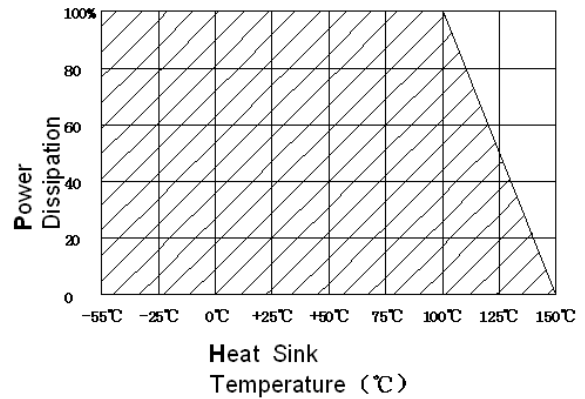


Other Unremarked Dimensions' Tolerance : ±0.25mm

Ordering Information



Power Derating



Tel: 86-755-26801033

web: www.yulongtong.com

email: yulongtong@vip.163.com