



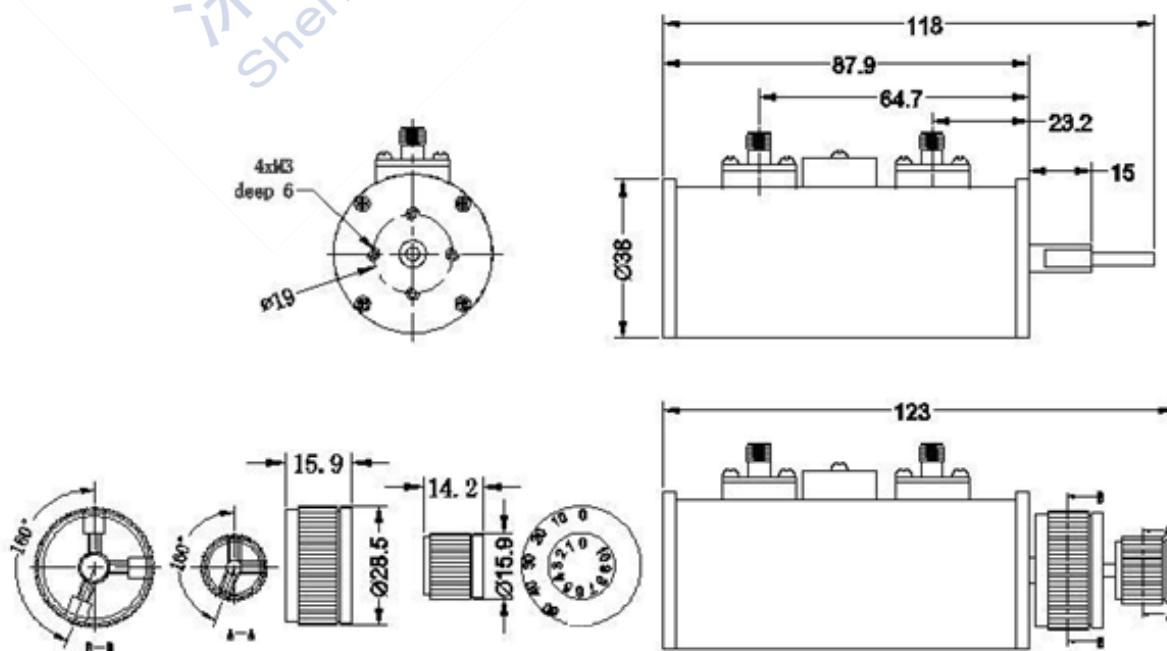
rotary attenuator

Model: SJ-XTJO-2-60-2.7-SKK

YULONGTONG ELECTRON CO.,LTD

General Specifications

- ◆ Frequency: DC-2.7GHz
- ◆ Attenuation Range: 0-60dB in 1dB steps
- ◆ VSWR: $\leq 1.50:1$
- ◆ Attenuation Accuracy: $\pm 1.0\text{dB}$ 或 4%
whichever is greater
- ◆ Insertion Loss: $\leq 1.5\text{dB}$
- ◆ Impedance: $50\ \Omega$
- ◆ Power Rating: 2W
- ◆ Connector: SMA Female to SMA Female
- ◆ Dimension: $\Phi 38 \times 123$
- ◆ Temperature: $-55^\circ\text{C} \sim +85^\circ\text{C}$



Dimension:mm Dimensions tolerance : $\pm 2\%$

E-mail: yulongtong@vip.163.com

Phone:86-755-26801033

Web:www.yulongtong.en.alibaba.com

Fax:86-755-26832033

编制/日期:

审核/日期:

批准/日期: