



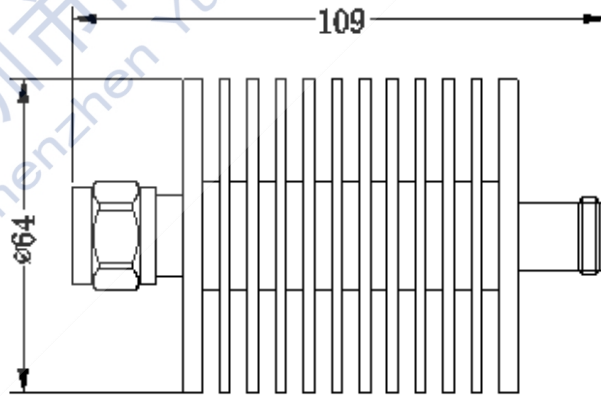
# Attenuators

Shen Zhen Yulongtong Electron Co.,LTD

Model: SJ-RNO-50-3-3

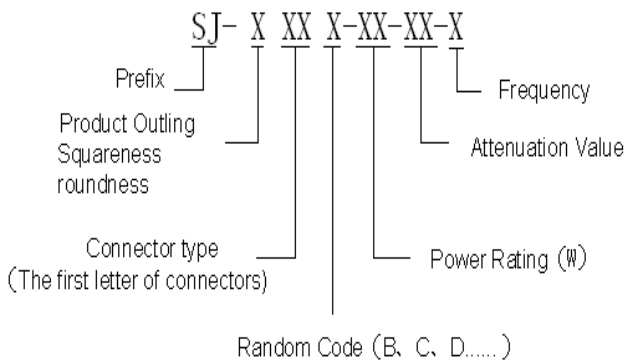
## SPECIFICATIONS

- ◆ Frequency range: DC-3GHz
- ◆ VSWR: 1.20: 1 Max
- ◆ Attenuation value: 3dB
- ◆ Attenuation Tolerance:  $\pm 0.5\text{dB}$
- ◆ Power Rating: 50W
- ◆ Peak power: 1KW (Pulse width 5 microseconds and Duty ratio is 2.5%)
- ◆ Impedance:  $50\ \Omega$
- ◆ Connector: N male-N female
- ◆ Operating temperature range:  $-55$  to  $125^\circ\text{C}$
- ◆ Dimension:  $\Phi 64 \times 109$
- ◆ Weight: 420g

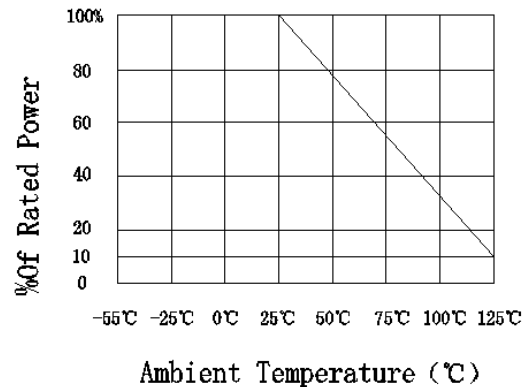


Dimension:mm Dimensions tolerance :  $\pm 2\%$

## Ordering Information



## power derating graphs



Tel: 86-755-26801033 fax: 0755-26832033

web: www.yulongtong.com

email: yulongtong@vip.163.com