



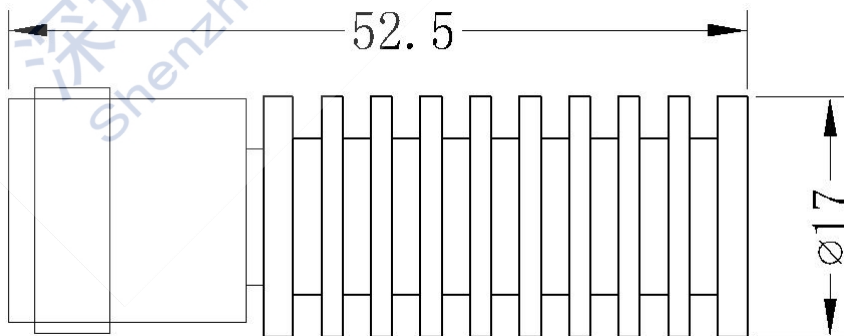
# Coaxial Load

Shen Zhen Yulongtong Electron Co.,LTD

Model: DF-RNP-10-6

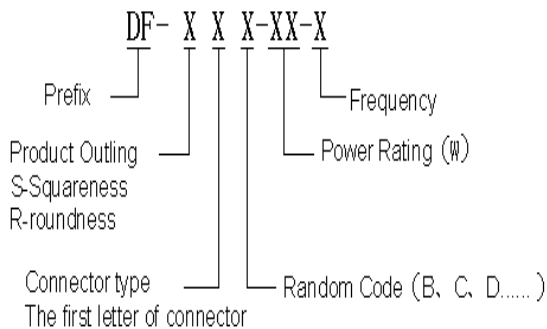
## Specifications

- ◆ Frequency Range: DC-6GHz
- ◆ VSWR: 1.20: 1 Max
- ◆ Impedance: 50 Ohms
- ◆ Power Rating: 10W
- ◆ Connector: N Female
- ◆ Dimension:  $\phi 17 \times 52.5$
- ◆ Temperature Range:  $-55^{\circ}\text{C} \sim +125^{\circ}\text{C}$

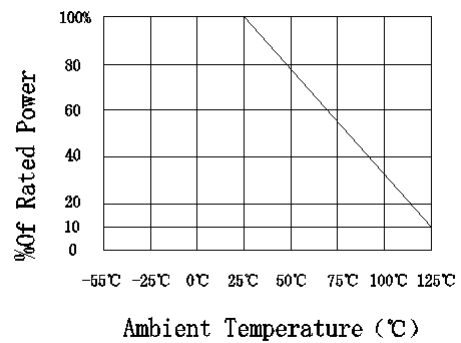


Dimension:mm Dimensions tolerance :  $\pm 2\%$

## Ordering Information



## power derating graphs



Tel: 86-755-26801033 fax: 0755-26832033

web: [www.yulongtong.com](http://www.yulongtong.com)

email: [yulongtong@vip.163.com](mailto:yulongtong@vip.163.com)